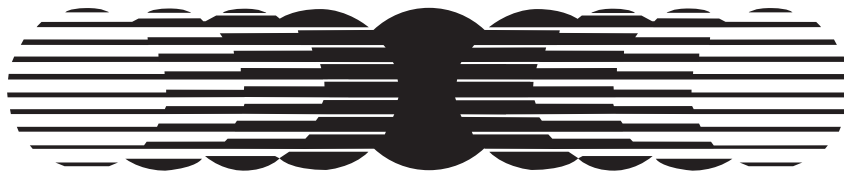


PARTS MANUAL

2010
WIC HARVESTER
8 ROW 22 SCRUB

Amity
TECHNOLOGY



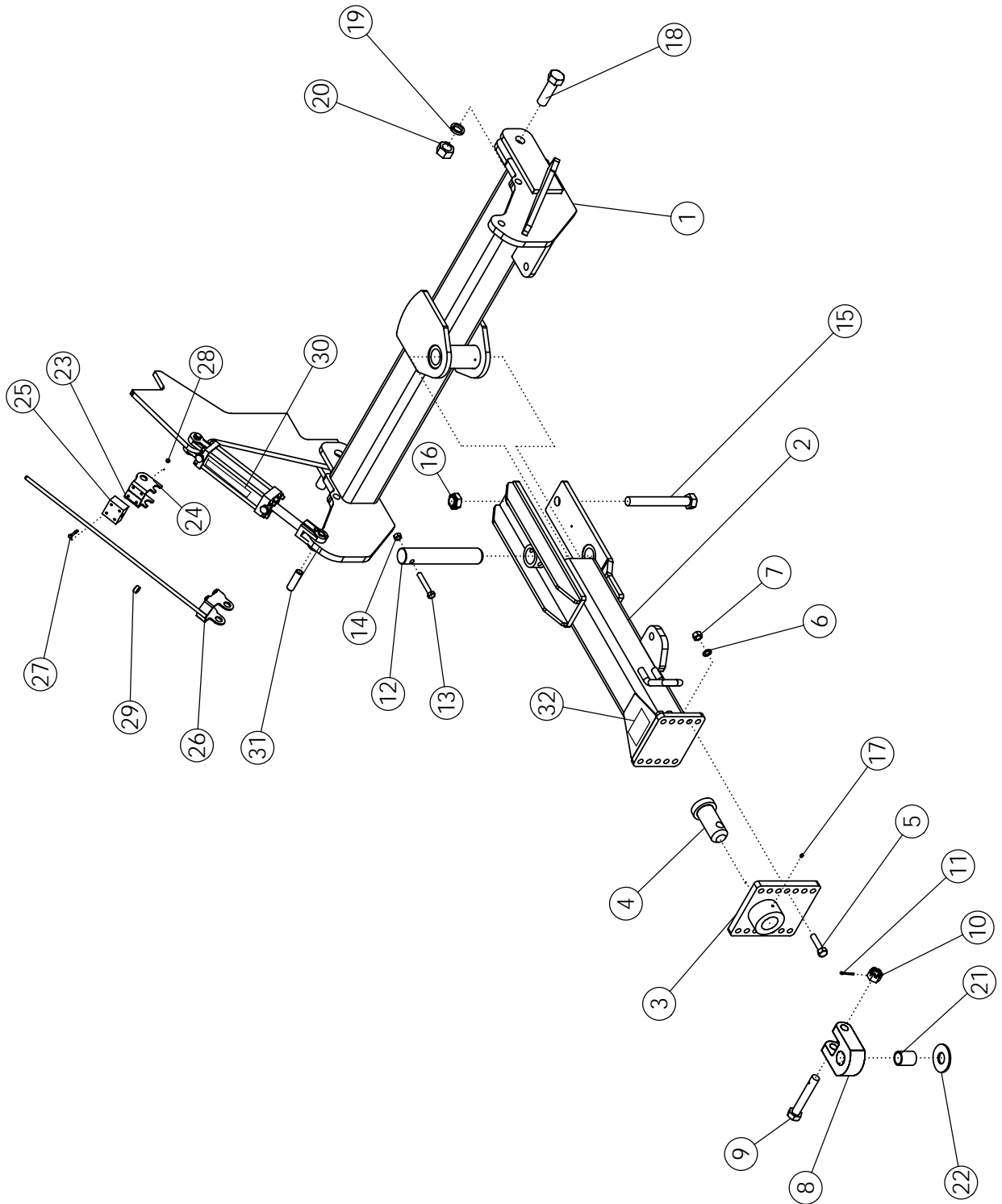
2800 7TH Avenue North
Fargo, ND 58102

Phone: (701) 232-4199
Fax: (701) 234-1716
www.amitytech.com

TABLE OF CONTENTS

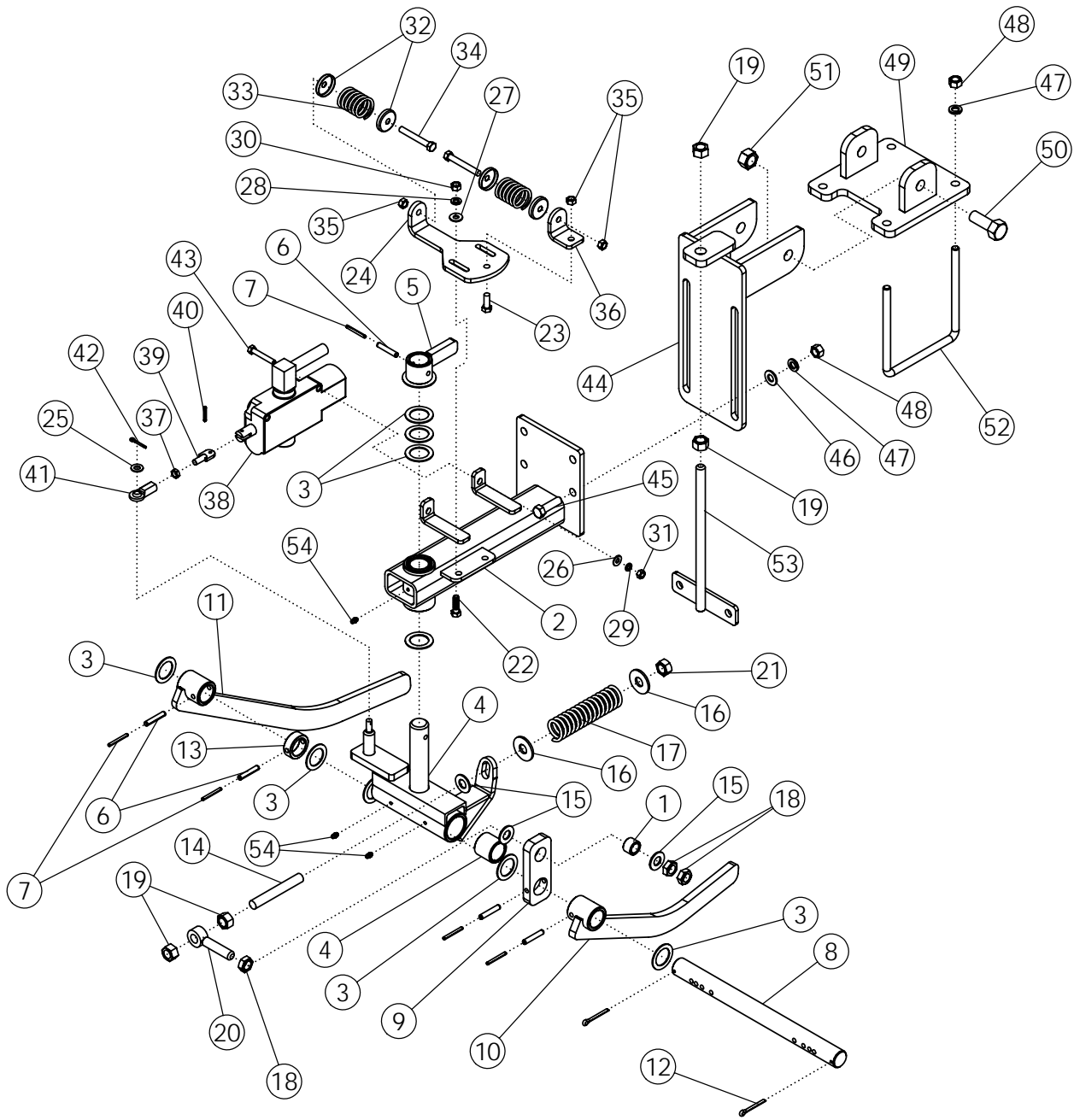
HITCH ASSEMBLY.....	1-2
LIFTER STRUT.....	3-10
ROW FINDER #51486.....	11-14
GUARDS & SHIELDS.....	15-18
DOOR ASSEMBLY.....	19-20
APRON SHAFT.....	21-24
PADDLE SHAFT.....	25-28
CLEANING ROLLS.....	29-32
CLEANING ROLL MOUNTING PACKAGE.....	33-34
MAIN DRIVE.....	35-38
MAIN DRIVE: ONBOARD OPTION.....	39-40
CLEANING ROLL DRIVE.....	41-42
APRON/PADDLE SHAFT DRIVE.....	43-44
TANK.....	45-46
ELEVATOR AND BOOM ASSEMBLY.....	47-50
BOOM EXTENSION 50MM/56MM (OPTIONAL).....	51-52
REAR SCRUB.....	53-56
REAR SCRUB: BELTED CHAIN.....	57-62
REAR SCRUB: HOOK CHAIN.....	63-64
REAR SCRUB DRIVE: GEARBOX.....	65-66
REAR SCRUB DRIVE: SINGLE MOTOR.....	67-70
REAR SCRUB DRIVE: DUAL MOTOR.....	71-72
STANDARD REAR STRUTS 11.2 X 24.....	73-76
STANDARD REAR STRUTS 14.9 X 30.....	77-78
STEERABLE REAR STRUTS.....	79-82
ROW FINDER & HITCH HYDRAULICS.....	83-84
VALVE GROUP: DUAL MOTOR SCRUB.....	85-86
TANK HYDRAULICS.....	87-88
HYDRAULIC TANK.....	89-90
LIGHT KIT.....	91-92
REVERSE #4 CLEANING ROLL #62111 (OPTIONAL).....	93-94
HARVESTER STAND #63357 (OPTIONAL).....	95-96
PTO DRIVELINE 1.75" – 20 SPLINE #51481.....	97-98
PTO DRIVELINE 1.38" – 21 SPLINE #51480.....	99-100
DRIVELINE COMPONENTS.....	101-102
GEARBOX (1.81:1) #63846.....	103-104
GEARBOX (1.81:1): ONBOARD OPTION #62396.....	105-106
GEARBOX (1.35:1) #63847.....	107-108
GEARBOX (1:1.35) #63848.....	109-110
MOTOR (13.9 IN ³) #57687.....	111-112

MOTOR (32.3 IN ³) #57686.....	113-114
HYDRAULIC PUMP #62153.....	115-116
HYDRAULIC CYLINDER (2.5 X 16") #58889.....	117-118
HYDRAULIC CYLINDER (3 X 8") #58890.....	119-120
HYDRAULIC CYLINDER (4 X 8") #58991.....	121-122
HYDRAULIC CYLINDER (4 X 10") #62082.....	123-124
FLOW CONTROL VALVE #58985.....	125-126
SELECTOR VALVE #58470.....	127-128
ROW FINDER VALVE #62350.....	129-130
SPROCKET #54824.....	131-132
BELT TIGHTENER #56422.....	131-132
SLIP CLUTCH (IN-LINE) #57926.....	133-134
SLIP CLUTCH/SPROCKET #57993.....	133-134
SLIP CLUTCH/SPROCKET #58335.....	133-134
SLIP CLUTCH/SPROCKET #69630.....	135-136
IDLER PULLEY #56409.....	137-138
SPROCKET IDLER #56851.....	137-138
ROLLERS.....	139-140
SCRUB DRIVELINE ASSEMBLY.....	141
BELT LAP JOINT.....	142
BELT REPAIR KIT.....	143
TOOL CUTTER.....	144



HITCH ASSEMBLY

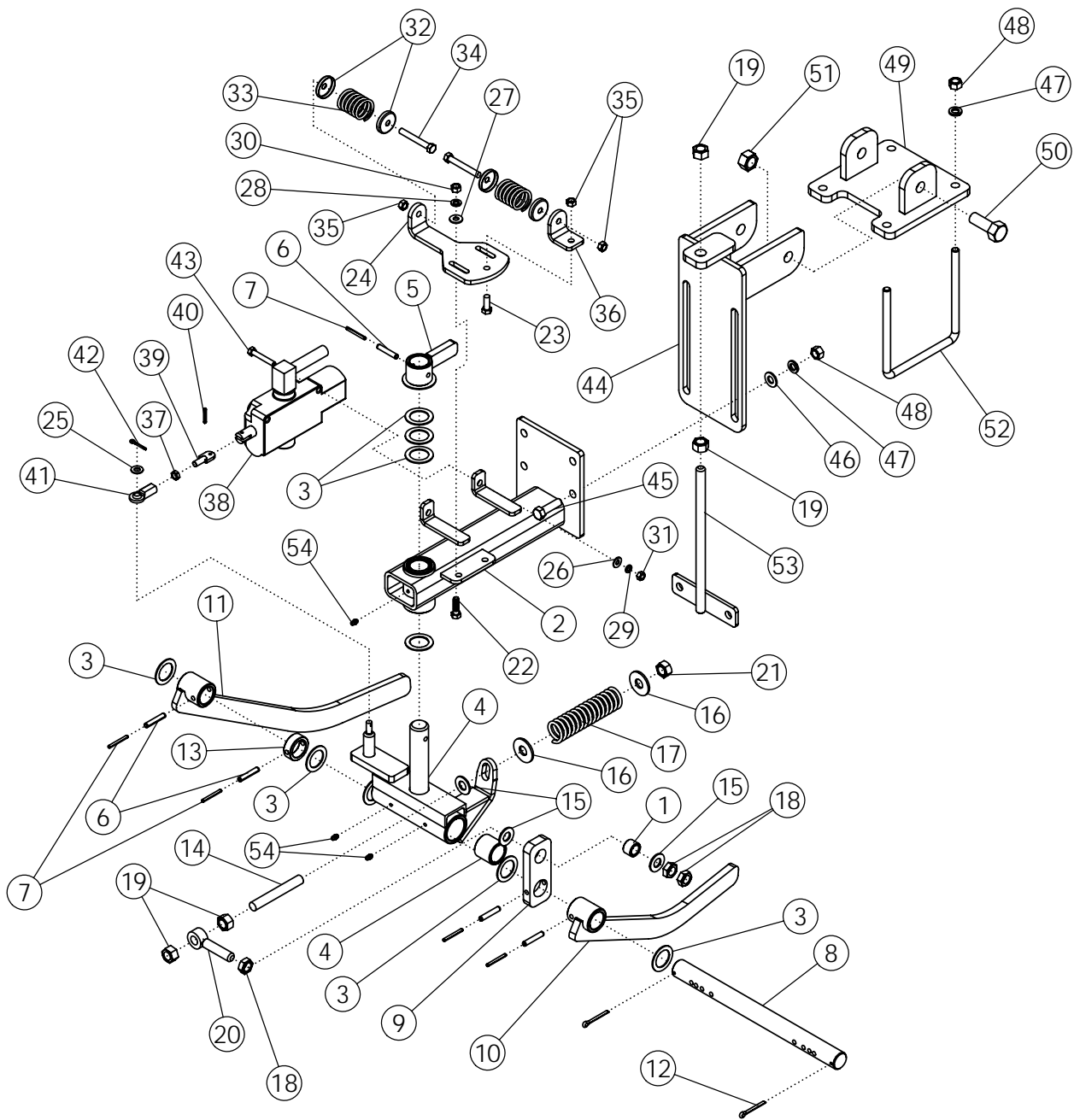
ITEM	PART NO.	DESCRIPTION	QTY
1	72023	WLDMT - HITCH PIVOT 12R	1
2	57928	WLDMT - DRAWPOLE	1
3	57930	WLDMT-HITCH PLATE	1
4	62101	WLDMT-PIN	1
5	1012059	BOLT-HEX: .75 X 3.00 NC GR5 ZP	6
6	1012061	WASHER-LOCK: .75 ZP	6
7	1011620	NUT-HEX: .75 NC	6
8	64476	PLATE-PULL HITCH	1
9	62477	BOLT-HITCH DRILLED	1
10	62088	NUT-SLOTTED: 1.13 NC GR5 ZP	1
11	1013473	PIN-COTTER: .19 X 2.00 NP	1
12	50678	PIN	1
13	1015117	BOLT-HEX: .63 X 4.00 NC GR8 ZP	1
14	1016595	NUT-TOPLOCK: .63 NC GR5 ZP	1
15	1030756	BOLT-HEX: 1.25 X 10.50 NC GR5 ZP	1
16	1030759	NUT-TOPLOCK: 1.25 NC ZP	1
17	1011748	ZERK - GREASE	4
18	72021	BOLT-HEX: 1.38 X 4.50 NC GR5 ZP	2
19	1030760	WASHER-LOCK: 1.38 ZP	2
20	1030758	NUT-HEX: 1.38 NC ZP	2
21	64614	SLEEVE 1.38	1
	64615	SLEEVE 1.25	
22	58925	HARDENED WASHER	1
23	63995	TOP BRACKET RH	1
24	63996	TOP BRACKET LH	1
25	63383	POLY GUIDE BLOCK	1
26	63999	WLDMT - BOTTOM_BRACKET	1
27	1016211	BOLT-HEX: .25 X 2.00 NC GR5	4
28	1030946	NUT-TOPLOCK: .25 NC GR5 ZP	4
29	63359	SET COLLAR .56	1
30	63405	DECAL-DEPTH GAUGE	1
31	63406	PIN-CLEVIS: 1.00 X 4.00 ZP	2
32	52448	DECAL-CAUTION	1
33	69256	CHAIN-SAFETY 41000# (NOT SHOWN)	1



HYDRAULIC ROW FINDER #51486

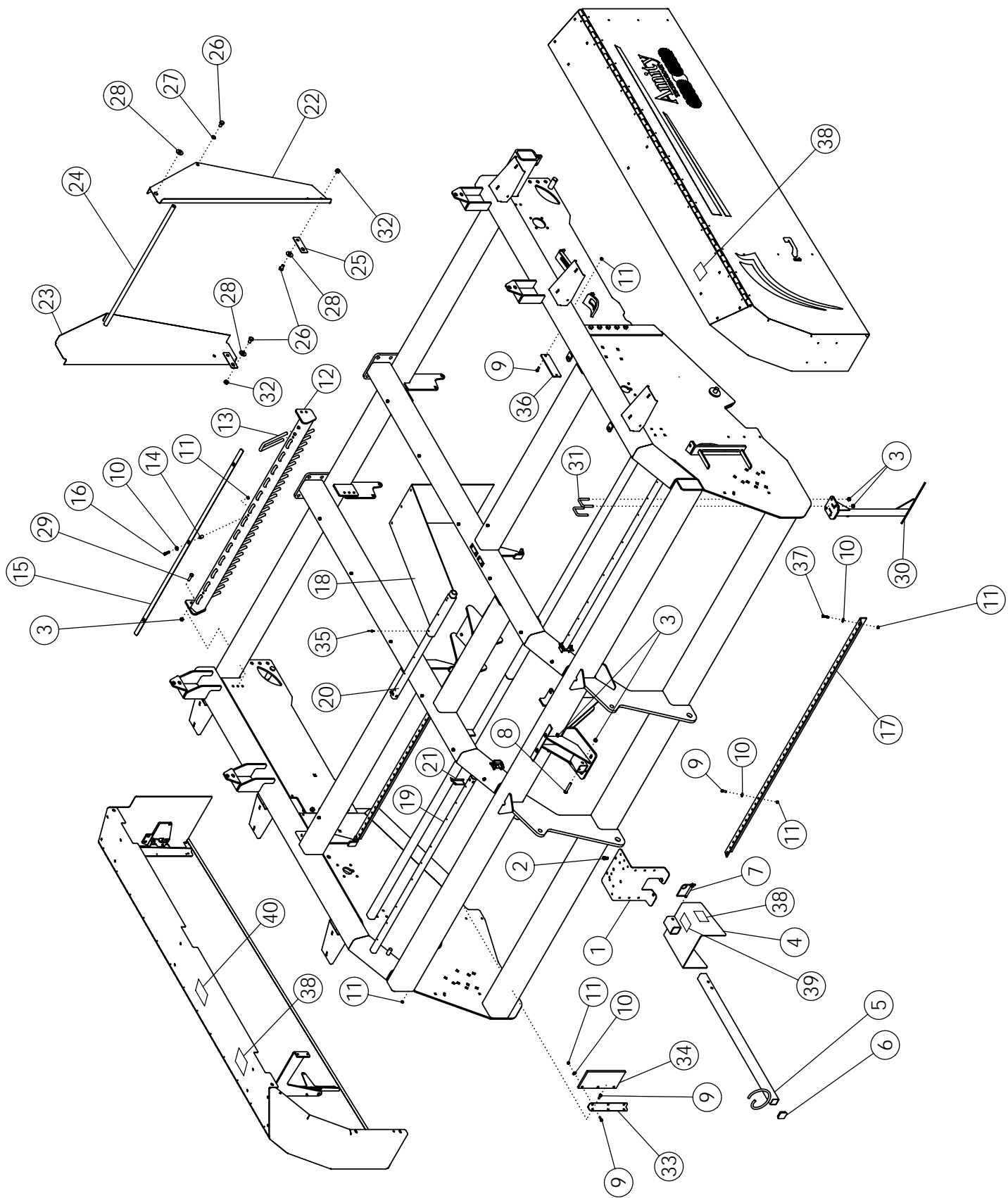
ITEM	PART NO.	DESCRIPTION	QTY
1	52567	BUSHING-ZP	1
2	62520	ASSY-MAIN FRAME	1
3	55206	BUSHING-MACH: 1.25 NR 14GA	9
4	51139	ASSY - SWIVEL	1
5	51130	WLDMT-FLIPPER	1
6	1030793	PIN-ROLL: .31 X 1.75 ZP	5
7	1030798	PIN-ROLL: .31 X 1.75 ZP	5
8	51690	SHAFT ZP	1
9	52566	TENSIONER ARM	1
10	51131	SENSOR ARM-L.H.	1
11	52564	SENSOR ARM-R.H.	1
12	1030797	PIN-COTTER: .19 X 1.75 NP	2
13	51137	COLLAR	1
14	52565	ADJUSTMENT BOLT	1
15	1013004	WASHER-FLAT: SAE .63 ZP	3
16	1013024	WASHER-FLAT: .63 ZP	2
17	51692	SPRING: .21 X 1.44 OD X 6.00 15 COILS	1
18	1026259	NUT-JAM: .63 NC GR2 ZP	3
19	1011578	NUT-HEX: .63 NC GR2 ZP	4
20	51691	EYEBOLT: .63 X 3.25 ZP	1
21	1016595	NUT-TOPLOCK: .63 NC GR5 ZP	1
22	1011601	BOLT-HEX: .38 X 1.25 NC GR5 ZP	2
23	1011600	BOLT-HEX: .38 X 1.00 NC GR5 ZP	1
24	51129	PLATE	1
25	1014608	WASHER-FLT: SAE .38 ZP	1
26	1020416	WASHER-FLAT: .25 ZP	2
27	1011583	WASHER-FLAT: .31 ZP	2
28	1011586	WASHER-LOCK: .38 ZP	2
29	1029115	WASHER-LOCK: .31 ZP	2
30	1011576	NUT-HEX: .38 NC GR2 ZP	2
31	1011575	NUT-HEX: .31 NC GR2 ZP	2
32	52582	SPRING CAP	4
33	51689	SPRING	2
34	1019828	BOLT-HEX: .38 X 2.75 NC GR5 ZP	2
35	1016999	NUT-TOPLOCK: .38 NC GR5 ZP	3
36	51128	SPRING PLATE	1
37	1030792	NUT-JAM: .38 NF GR2 ZP	1
38	62350	VALVE-ROWFINDER O/C	1
39	62540	PLATE STUD ZP	1
40	64157	PIN-ROLL: .19 X 1.125 ZP	1

CONTINUED



HYDRAULIC ROW FINDER #51486 (CONTINUED)

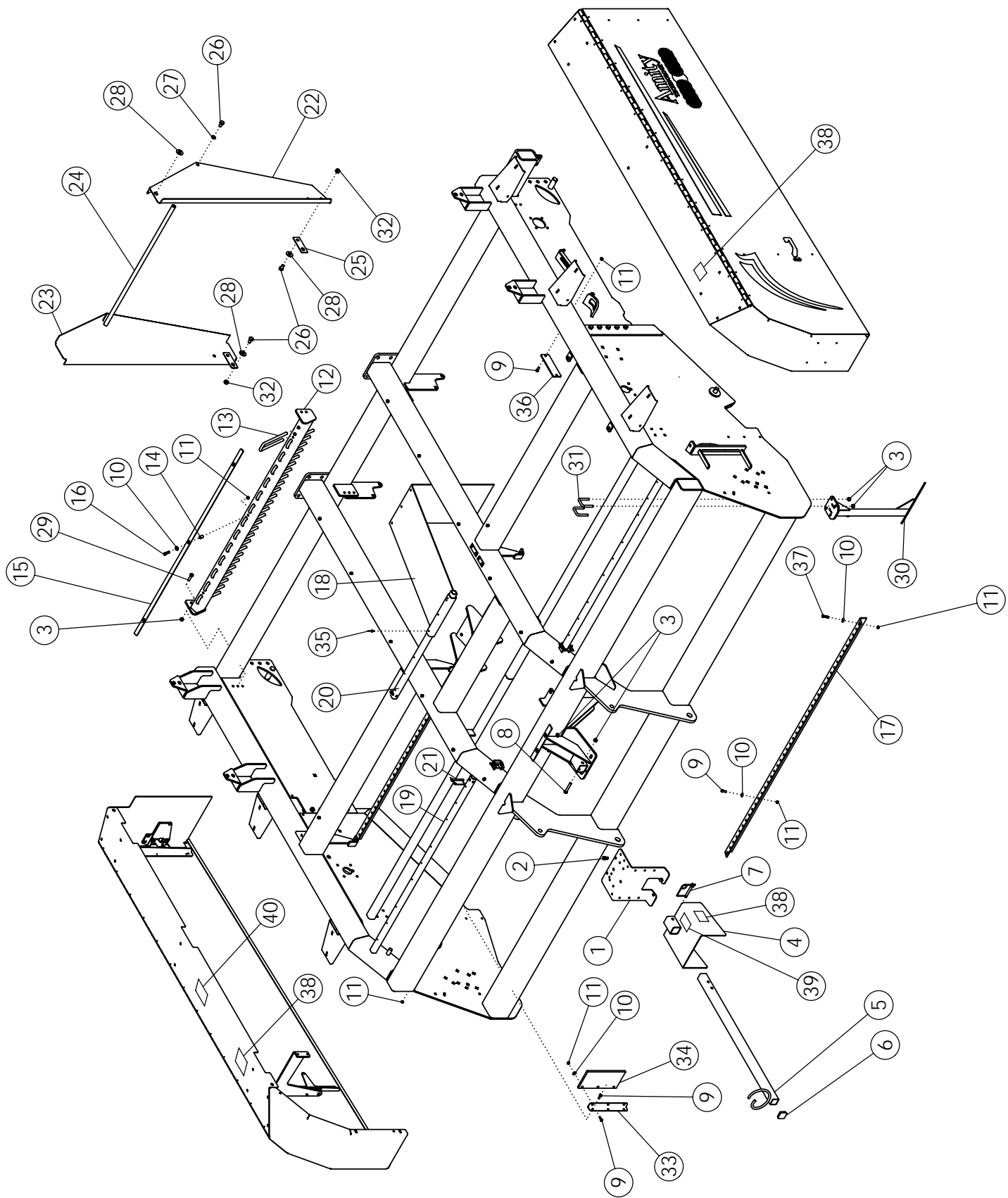
ITEM	PART NO.	DESCRIPTION	QTY
41	51136	UNIBALL COUPLING	1
42	64570	PIN-COTTER: .13 X 1.00 ZP	1
43	1011285	BOLT-HEX: .31 X 2.00 NC	2
44	52181	MOUNTING BRACKET	1
45	1011608	BOLT-HEX: .50 X 1.75 NC GR5 ZP	4
46	1011584	WASHER-FLAT: SAE .50 ZP	4
47	1011581	WASHER-LOCK: .50 ZP	8
48	1011577	NUT-HEX: .50 NC GR2 ZP	8
49	62871	WLDMT-BRACKET	1
50	1012060	BOLT-HEX: .75 X 2.00 NC GR5 ZP	2
51	1013537	NUT-TOPLOCK: .75 NC GR5 ZP	2
52	53984	U-BOLT 1/2 X 7 X 6 X 7	2
53	62882	TIGHTENER BOLT-ZP	1
54	1011748	ZERK - GREASE	3



GUARDS AND SHIELDS

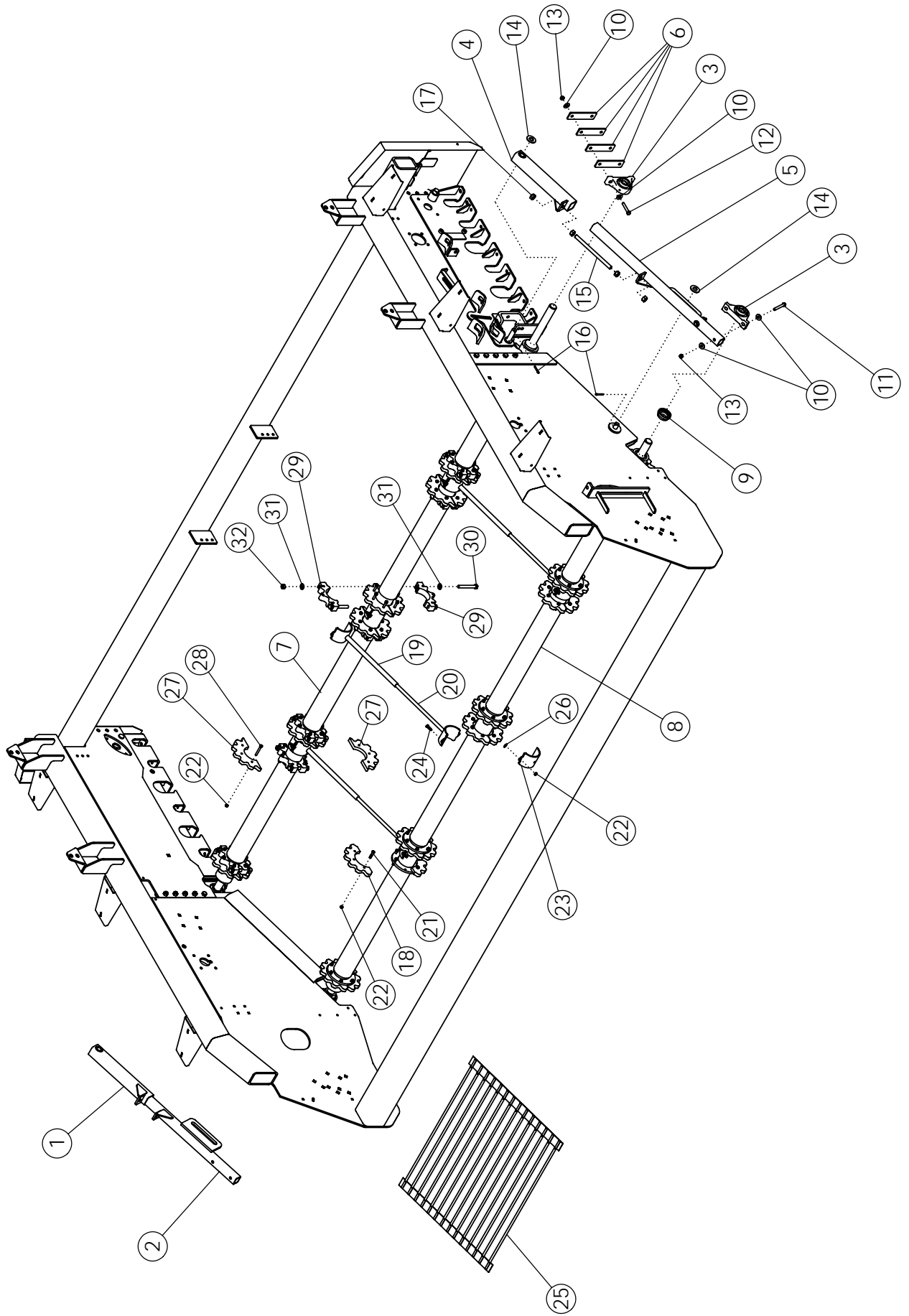
ITEM	PART NO.	DESCRIPTION	QTY
1	62883	PLATE-HOSE MOUNT	1
2	1011096	BOLT-HEX: .50 X 1.00 NC GR5 ZP	4
3	1027461	NUT-TOPLOCK: .50 NC GR5 ZP	41
4	63354	WLDMT-PTO SHIELD	1
5	54800	WLDMT-HOSE SUPPORT	1
6	63869	CAPLUG-2" SQ	1
7	52408	SPRING PIN .50" X 3.50"	1
8	1011611	BOLT-HEX: .50 X 3.00 NC GR5 ZP	1
9	1011600	BOLT-HEX: .38 X 1.00 NC GR5 ZP	40
10	1011828	WASHER-FLAT: .38 ZP	48
11	1016999	NUT-TOPLOCK: .38 NC GR5 ZP	59
12	58182	WLDMT-MOUNT	2
13	69117	U ROD ZP	28
14	58446	SPACER ZP	6
15	58448	STRAP	2
16	1011603	BOLT-HEX: .38 X 1.75 NC GR5 ZP	6
17	51225	MOUNT-TARP 8R	2
18	58961	APRON-RUBBER	8
19	58184	TUBE-OUTER APRON MOUNT 8R	2
20	57721	TUBE-INNER APRON 6R/8R	1
21	59101	SPRING PIN .38" X 3.00"	3
22	56257	GUARD-REAR SCRUB LH	1
23	56258	GUARD-REAR SCRUB RH	1
24	56754	PIPE-THREADED	1
25	56256	LINK-GUARD	2
26	1032275	BOLT-HEX: .63 X 1.00 NC GR5 ZP	6
27	1011813	WASHER-LOCK: .63 ZP	2
28	1013024	WASHER-FLAT: .63 ZP	4
29	1011608	BOLT-HEX: .50 X 1.75 NC GR5 ZP	8
30	62378	WLDMT - DEFLECTOR	7
31	65658	U-BOLT: .50 X 3 X 2.06 X 3	14
32	1016595	NUT-TOPLOCK: .63 NC GR5 ZP	4
33	51331	ANGLE	2
34	51680	DEFLECTOR-RUBBER	2
35	1011974	RIVET-POP: .19 X .53 ZP	24
36	63501	PLATE-COVER	2
37	1011602	BOLT-HEX: .38 X 1.50 NC GR5 ZP	4

CONTINUED



GUARDS AND SHIELDS (CONTINUED)

ITEM	PART NO.	DESCRIPTION	QTY
38	52341	DECAL-WARNING	5
39	52336	DECAL-CAUTION	1
40	53740	DECAL-DANGER	1
41	69265	ASSY-LH DOOR	1
42	69350	ASSY-RH DOOR	1



APRON SHAFT - BELTED CHAIN

ITEM	PART NO.		QTY
1	56693	WLDMT-ARM RH	1
2	56698	WLDMT-SLIDE RH	1
3	52405	BEARING-PILLOW 1.75	4
4	56692	WLDMT-ARMLH	1
5	56697	WLDMT-SLIDE LH	1
6	56672	SHIM-BEARING ZP	AR
7	58325	WLDMT-TOP APRON SHAFT	1
8	58326	WLDMT-BOTTOM APRON SHAFT	1
9	52382	SEAL PROTECTOR 1.75	2
10	1014443	WASHER-FLAT: .50 ZP	16
11	1029104	BOLT-HEX: .50 X 3.75 NC GR5 ZP	4
12	1011611	BOLT-HEX: .50 X 3.00 NC GR5 ZP	4
13	1027461	NUT-TOPLOCK: .50 NC GR5 ZP	8
14	1020685	WASHER-FLAT: 1.00 ZP	4
15	56718	ROD-THREADED ZP	2
16	1016944	PIN-COTTER: .25 X 2.00 ZP	4
17	1011620	NUT-HEX: .75 NC GR2 ZP	8
18	63361	SPROCKET-SPLIT COUNTERBORE (PAIR)	8
19	64162	WLDMT-UPPER FILLER	3
20	64161	WLDMT-LOWER FILLER	3
21	1011603	BOLT-HEX: .38 X 1.75 NC GR5 ZP	96
22	1016999	NUT-TOPLOCK: .38 NC GR5 ZP	108
23	64159	CLAMP-FILLER PAINTED	6
24	64991	BOLT-HEX: .38 X 1.25 NC GR8 ZP	12
25	59560	BELT 1/2 X 42 X 56MM 48LPR	4
26	1011828	WASHER-FLAT: .38 ZP	12
27	69255	SPROCKET-SPLIT 56MM 12T APRON	8
28	1019828	BOLT-HEX: .38 X 2.75 NC GR5 ZP	48
29	69245*	CLAMP-APRON	16
30	69246*	BOLT-HEX: .63 X 4.75NC GR8 ZP	16
31	66498*	WASHER-FLAT: SAE .63 GR8 ZP	32
32	66500*	NUT-HEX: .63NC GR8 ZP	16

*INCLUDED IN ITEM 7

